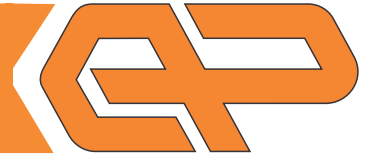


## TEMPERATURE RESISTANCE PROBE WITH PROTECTION TUBE TYPE:

# CVH



### Description of the probe:

Resistance temperature probe type CVH is constructed out of protection tube with its male thread and measuring insert which is inserted in the protection tube. If there is a probe malfunction, all we have to do is to change the measuring insert while the protection tube remains screwed into place and therefore is no need to drain the medium out of the system.

### Sensor features:

Sensors, which can be implemented into the measuring insert of the probe:

#### - Pt 100

- tolerance class A\*
- tolerance class B\*
  - two-wire implementation
  - three-wire implementation
  - four-wire implementation

#### - Pt1000

- tolerance class A\*
- tolerance class B\*
  - two-wire implementation

#### - Ni1000/5

#### - Ni1000/6

#### - NTC 10K

#### - KTY 81

(look at the ordering table)

\* according to DIN EN 60751

### External features of the probe:

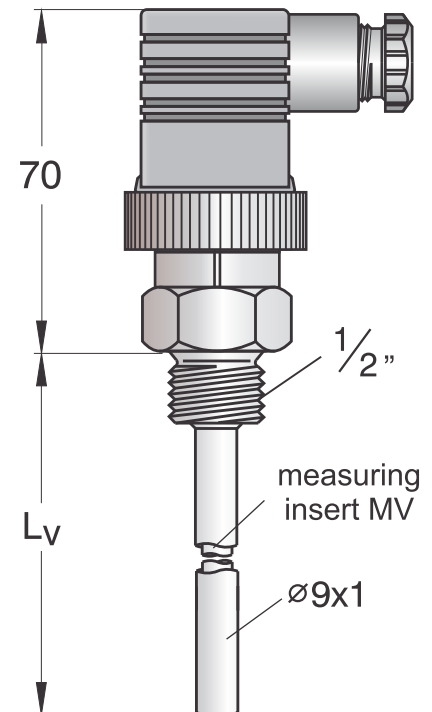
Protection and measuring insert tube are made out of AISI 403 (DIN 1.4024) steel. Process connector measures 1/2".

Mounting length of the probe (Lv) can be:

- 100 mm
- 160 mm
- 250 mm
- 300 mm
- 400 mm

(look at the ordering table)

### Image and dimensions of the probe:



### Operating conditions:

#### Temperature

Temperature interval for the CVH is -40/100°C.

#### Reaction time

$T_{0.5} < 20s.$

#### Pressure

Maximum pressure of the medium is 40 bar.

#### Maintenance

The probe does not need any maintenance.

### Plug-in connector:

Plastic plug-in connector with terminals according to standard DIN EN 175 301-803-A and cable gland PG9.

Protection level IP65.

