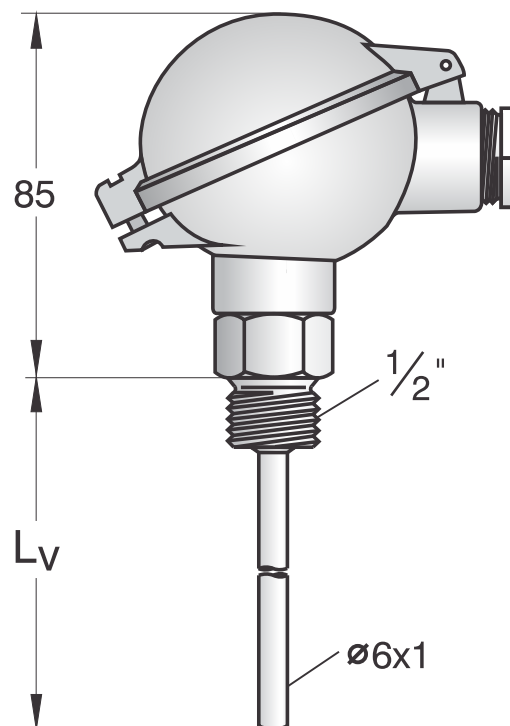


ORDERING  
TABLE:

## Probe type CB



CB	X	X	XX
<b>Inserted sensor:</b>			
Pt100 B	1		
Pt100 A	3		
Pt1000 B	10		
NTC 10K	T10		
KTY81	81		
Ni1000, 5000 ppm/K	15		
Ni1000, 6178 ppm/K	16		
<b>Probe length <math>L_v</math>:</b>			
50 mm		05	
100 mm		10	
160 mm		16	
200 mm		20	
250 mm		25	
300 mm		30	
400 mm		40	
500 mm		50	
<b>Installed transmitter:</b>			
none			-
4 ..20 mA			AI*
RS485			RS



\*Added measuring range of installed transmitter  
xx/xx °C  
 └──┬── temperature at which the current is 20 mA  
 └──┴── temperature at which the current is 4 mA

**Example of ordering:**Code: **CB 120 AI 0/100°C** means:**CB** - temperature probe for measuring the temperature of liquids type CB**1** - inserted sensor Pt100, tolerance class B**20** - probe length  $L_v = 200$  mm,**AI 0/100°C** - installed measuring transmitter 4...20mA with measuring range 0/100°C

www.termomer.com

ELEKTRONIKA PAHOR d.o.o.

Brnciceva 9a

1231 Ljubljana-Crnuce

SI-Slovenia, Europe

tel: +386 (0)1 561 51 20

fax: +386 (0)1 561 13 308

info@termomer.com