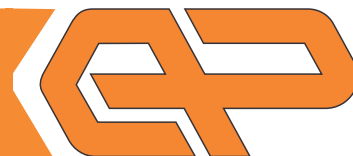
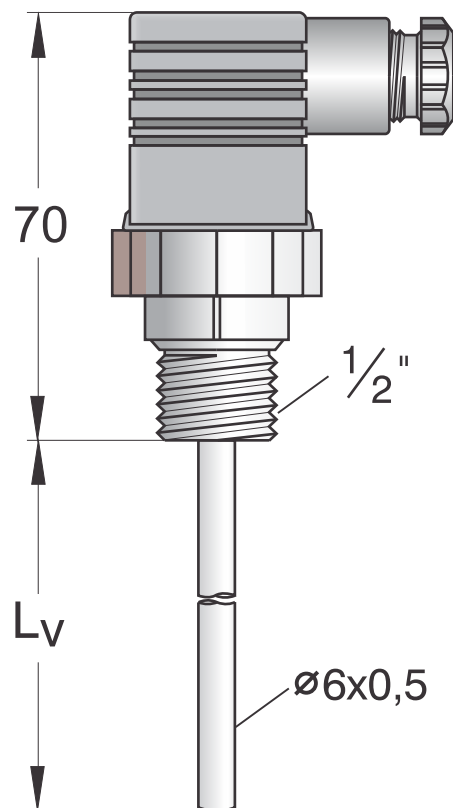


ORDERING
TABLE:

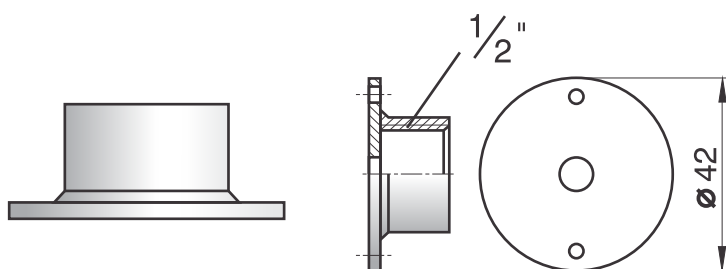
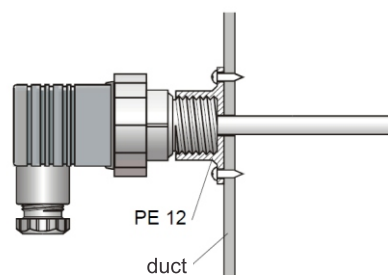
Probe type KH



KH	X	X
Inserted sensor:		
Pt100 B	1	
Pt100 A	3	
Pt1000 B	10	
NTC 10K	T10	
KTY81	81	
Ni1000, 5000 ppm/K	15	
Ni1000, 6178 ppm/K	16	
Probe length L_v:		
100 mm		10
200 mm		20
300 mm		30
400 mm		40
500 mm		50

**Example of ordering:**Code: **KH 120** means:

- KH** - temperature probe for measuring air temperature type KH
- 1** - inserted sensor Pt100, tolerance class B
- 20** - probe length L_v = 200 mm

Accessories: **Mounting element PE 12 fastener****Image and dimensions of mounting element:****Example of mounting:**Mounting of the probe in the
air duct with PE 12 fastener.