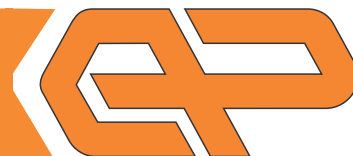
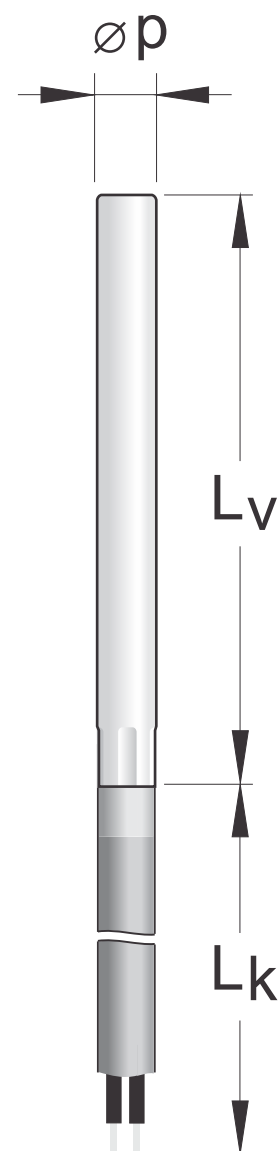


ORDERING  
TABLE:

## Probe type OK



OK	X	X	XX	X	X
<b>Inserted sensor:</b>					
Pt100 class B	1				
Pt100 class A	3				
Pt1000 B	10				
NTC 10K	T10				
KTY81	81				
Ni1000, 5000 ppm/K	15				
Ni1000, 6178 ppm/K	16				
<b>Probe diameter <math>\Phi_p</math>:</b>					
4 mm		4			
5 mm		5			
6 mm		6			
<b>Probe length <math>L_v</math>:</b>					
30 mm			30		
40 mm			40		
50 mm			50		
80 mm			80		
100 mm			100		
150 mm			150		
Custom			XX		
<b>Connection cable insulation:</b>		<b>Connection cable length <math>L_k</math>:</b>			
PVC	2 m			PVC 02	
	> 2 m			PVC XX	
Silicone	2 m			Si 02	
	> 2 m			Si XX	
Teflon	2 m			T 02	
	> 2 m			T XX	
Fiberglass with steel overbraids	2 m			SVO 02	
	> 2 m			SVO XX	



## Example of ordering:

Code: **OK 10 - 6 - 50 - PVC 02** means:

- OK** - temperature cable probe type OK
- 10** - inserted sensor Pt1000, tolerance class B
- 6** - probe diameter  $\Phi_p = 6$  mm,
- 50** - probe length  $L_v = 50$  mm,
- PVC** - connection cable insulation: PVC,
- 02** - connection cable length: 2m.



ORDERING  
TABLE:

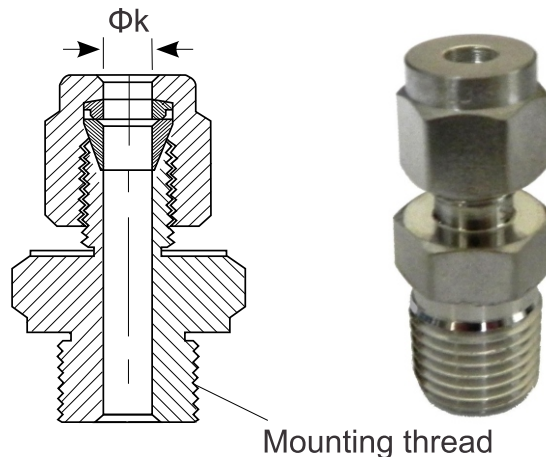
## Probe type OK



## Accessories: Compression fitting mounting element PEK

## Ordering table:

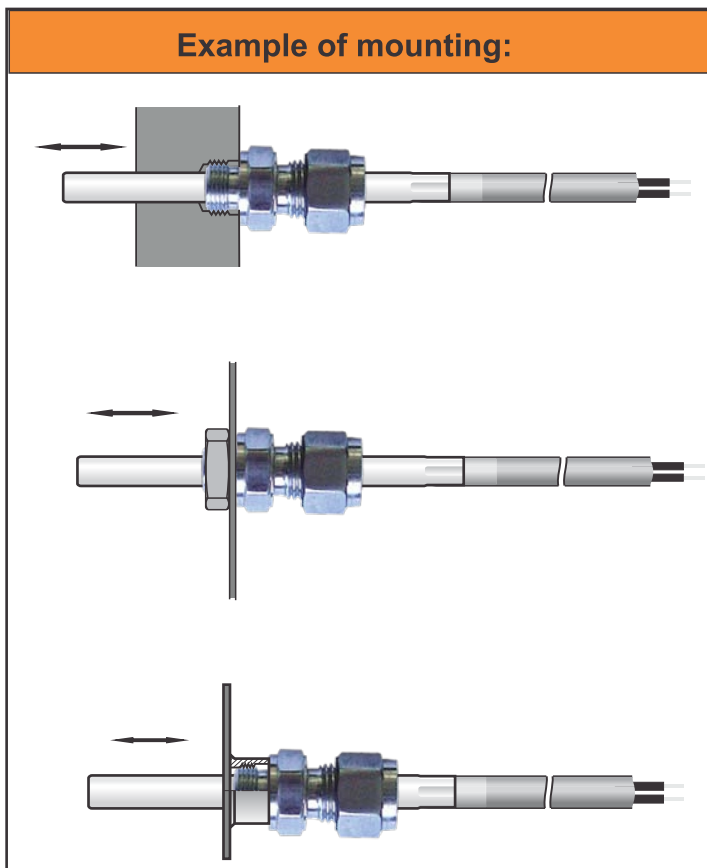
	PEK	XX	-	XX
<b>Mounting thread:</b>	<b>Diameter of probe opening (<math>\Phi k</math>)</b>			
1/4"	6 mm	G1/4		06
3/8"	6 mm	G3/8		06
1/2"	6 mm	G1/2		06
M8 x 1	4 mm	M8x1		04
M10 x 1	6 mm	M10x1.0		06
Custom	XX mm	XX		XX



## Example of ordering:

Code **PEK G1/2 - 06** :**PEK** - compression fitting mounting element PEK**G1/2** - mounting thread 1/2"**06** - probe opening diameter  $\Phi$  6 mm

## Example of mounting:

Page:  
2/2

www.termomer.com

ELEKTRONIKA PAHOR d.o.o.

Brnciceva 9a

1231 Ljubljana-Crnuce

SI-Slovenia, Europe

tel: +386 (0)1 561 51 20

fax: +386 (0)1 561 13 308

info@termomer.com