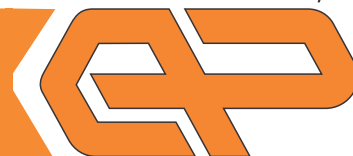


TEMPERATURE
RESISTANCE PROBE
TYPE:

KB



Description of the probe:

Temperature resistance probe type KB is used for measuring the air temperature up to 100°C in ventilation channels or chambers. The probe is attached to the channel's or chamber's wall with the PE 12 fastener.

Sensor features:

Sensors, which can be implemented into the measuring insert of the probe:

- Pt 100
 - tolerance class A*
 - tolerance class B*
 - two-wire implementation
 - three-wire implementation
 - four-wire implementation
- Pt1000
 - tolerance class B*
 - two-wire implementation
- NTC 10K
- KTY 81
- Ni1000, 5000 ppm/K
- Ni1000, 6178 ppm/K

(refer to the ordering table)

* according to DIN EN 60751

External features of the probe:

Measuring insert tube is made out of ANSI 403 (DIN 1.4024) steel. Process connector measures 1/2".

Mounting length of the probe (Lv) can be:

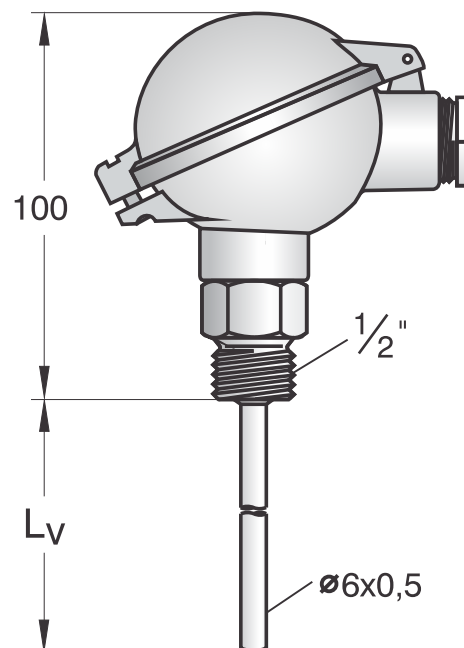
- 100 mm
- 200 mm
- 300 mm
- 400 mm
- 500 mm

(refer to the ordering table)

Plug-in head:

Probe has plug-in head type BS (IP65), which is made out of aluminum alloy and cable gland M20.

Image and dimensions of the probe:



Operating conditions and maintenance:

Temperature

Temperature interval for KB is -40/100°C.

Reaction time

$T_{0.5} < 20s$.

Pressure

Maximum pressure of the medium is 10 bar.

Maintenance

The probe does not need any maintenance.

Option - measuring transducer:

Measuring range is set to customer's specifications. Transducer has 4...0mA current output and two-wire power supply from the measuring loop. Power supply voltage is 24..36 Vdc. Two types of transducers, which can be implemented in the probe's head:

- MO4201 (KB AI)
- RS485 (KB RS)

