

TEMPERATURE RESISTANCE
CONTACT CABLE PROBE
TYPE:

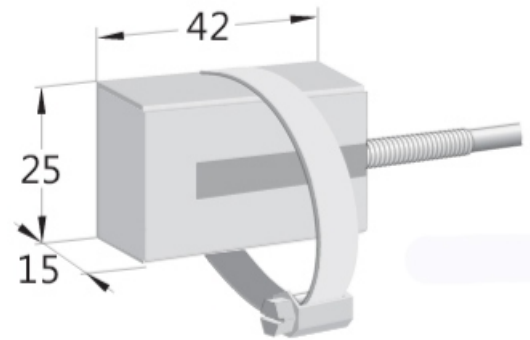
KNN



Description of the probe:

The probe is constructed out of connection cable and brass protection tube (dimensions 6x6mm) in which is inserted a NTC thermistor R25. The thermistor is merged with the connection cable and inserted into the protection tube. The protection tube itself is inserted into the mounting element. The probe is suitable for measuring temperature in pipelines or other areas where we can not interfere with the medium of which temperature we want to measure.

Image and dimensions of the probe:



All dimensions are in millimeters (mm).

Thermistor features:

The KNN contact cable probe has a built-in NTC thermistor R25 10k Ω +/-1% (from -50 to 105 °C)

Table of resistance:

°C	k Ω
-20	76,74
0	27,28
25	10,00
40	5,828
60	3,021

Operating temperature:

Maximum operating temperature interval for temperature probe type KNN is from -60 to +150°C.

External features of the probe:

Protection tube

Protection tube is made out of brass. Its cross-section dimensions are 6x6mm. The probe length is 40mm.

Mounting element

Mounting element is constructed out of stainless steel frame, rubber interior and stainless steel fastening clip.

