

UPOROVNO TEMPERATURNO  
TIPALO Z DVIGNJENO  
PRIKLJUČNO GLAVO TIP:

# KBD



## Description of the probe:

Resistance temperature probe type KBD has an elevated head and is therefore used for measuring higher air temperatures. The probe is attached to channel's or chamber's wall with the PE 12 fastener. There is also 4 ... 20 mA current transducer which can be implemented into the head of the probe.

## Sensor features:

Sensors, which can be implemented into the measuring insert of the probe:

- Pt 100
  - tolerance class A\*
  - tolerance class B\*
    - two-wire implementation
    - three-wire implementation
    - four-wire implementation
- Pt1000
  - tolerance class A\*
  - tolerance class B\*
    - two-wire implementation
- Ni1000/5
- Ni1000/6
- NTC 10K
- KTY 81

(look at the ordering table)

\* according to DIN EN 60751

## External features of the probe:

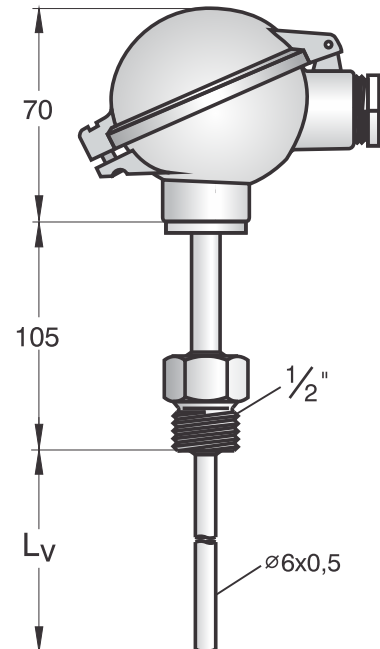
Measuring insert tube is made out of AISI 403 (DIN 1.4024) steel. Process connector measures 1/2".

Mounting length of the probe (Lv) can be:

- 100 mm
- 160 mm
- 250 mm
- 300 mm
- 400 mm
- 500 mm

(look at the ordering table)

## Image and dimensions of the probe:



## Operating conditions:

### Temperature

Temperature interval for the KBD is 0/400°C.

### Reaction time

$T_{0.5} < 20s$ .

### Pressure

Maximum pressure of the medium is 10 bar.

### Maintenance

The probe does not need any maintenance.

## Option - measuring transducer:

Measuring range is set to customer's specifications. Transducer has 4 ... 20 mA current output and two-wire power supply from the measuring loop. Power supply voltage is 24 ... 36 Vdc.

Two types of transducers, which can be implemented in the probe's head:

- MO4201 (KBD AI)
- RS485 (KBD RS)

## Plug-in head:

Probe has plug-in head type BS (IP65) which is made out of aluminum alloy and cable gland M20.



www.termomer.com

ELEKTRONIKA PAHOR d.o.o.

Brnčičeva 9a

1231 Ljubljana-Črnuče

tel: +386 (0)1 561 51 20

fax: +386 (0)1 561 13 308

info@termomer.com