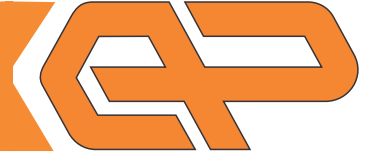


PUSH-IN CABLE TEMPERATURE PROBE TYPE:

BJ



Description of the probe:

The probe consists of a spring, bayonet lock, connection cable and protection tube (diameter Φ_p length L_v) in which rtd temperature sensor (Pt 100, Pt 1000 etc.) or thermocouple (type J, type K etc.) is inserted.

Temperature sensor is merged with connection cable and inserted in the protection tube.

Operation temperature of the probe is determined with the insulation of connection cable.

Sensor features:

Sensors which can be implemented into the probe:

- Pt 100
 - tolerance class A*
 - tolerance class B*
 - three-wire implementation
- Pt1000
 - tolerance class B*
 - two-wire implementation
- Thermocouple type J
- Thermocouple type J - isolated
- Thermocouple type K
- Thermocouple type K - isolated

(refer to the ordering table)

* according to DIN EN 60751

External features of the probe:

Protection tube is made out of AISI 403 (DIN 1.4024) steel.

Spring is made out of stainless steel and has 6mm or 8 mm diameter (Φ_v).

Bayonet lock is made out of nickel-plated brass and has 12,8 mm or 14,8 mm diameter (Φ_b).

Probe diameter (Φ_p) can be:

- 4 mm
- 5 mm
- 6 mm
- 8 mm

(refer to the ordering table)

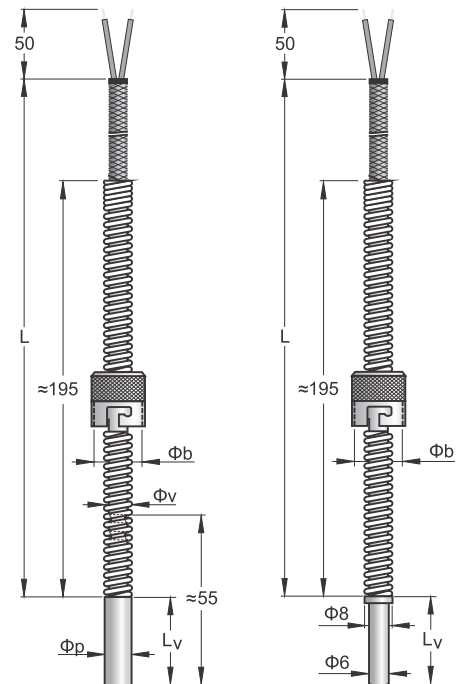
Probe length (L_v) is custom and varies according to client specifications.

- Minimum 2 mm for thermocouples
- Minimum 10 mm for RTDs (Pt 100, Pt 1000)

(refer to the ordering table)

Connection cable length (L_k) is custom.

Image and dimensions of the probe:



Operating conditions:

Temperature

Operation temperature is determined with the insulation of connection cable:

Cable insulation	Ordering code	Temperature interval (°C)
PVC	P	-20 / +105 °C
Silicone	Si	-50 / +180 °C
Teflon	T	-200 / +270 °C
Fiberglass with steel overbraids	SVo	-50 / +400 °C

(refer to ordering table)