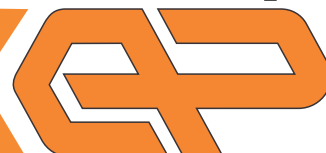


ORDERING
TABLE:

Probe type AK and BK



AK / BK		X	X	XX	XX	X	X
Inserted sensor:							
Pt100, tolerance class B		1					
Pt100, tolerance class A		3					
Pt1000 B		10					
NTC 10K		T10					
KTY81		81					
Ni1000, 5000 ppm/K		15					
Ni1000, 6178 ppm/K		16					
Probe diameter Φ_p:							
4 mm		Mounting thread diameter Φ_n:					
		1/4"		4	G1/4		
		M8		4	M8		
6 mm		M10		4	M10		
		1/4"		6	G1/4		
		3/8"		6	G3/8		
Custom		1/2"		6	G1/2		
		M10		6	M10		
		M10x1		6	M10x1		
Custom				X	XX		
Probe length L_v:							
30 mm					30		
40 mm					40		
50 mm					50		
80 mm					80		
100 mm					100		
150 mm					150		
Custom					XX		
Connection cable insulation:							
PVC		Connection cable length L_k:				PVC 02	
		2 m				PVC XX	
Silicone		> 2 m				Si 02	
		2 m				Si XX	
Teflon		> 2 m				T 02	
		2 m				T XX	
Fiberglass with steel overbraids		> 2 m				SVO 02	
		2 m				SVO XX	

Examples of ordering and sketches of probes on page 2!

Page:
1/2



www.termomer.com

ELEKTRONIKA PAHOR d.o.o.

Brnciceva 9a

1231 Ljubljana-Crnuce

SI-Slovenia, Europe

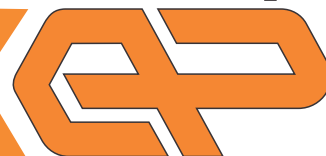
tel: +386 (0)1 561 51 20

fax: +386 (0)1 561 13 308

info@termomer.com

ORDERING
TABLE:

Probe type AK and BK

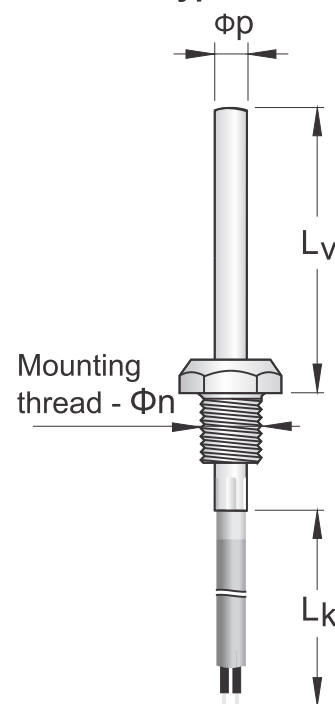


Example of ordering:

Code: **AK 1 - 4 - G1/4 - 80 - PVC 02** means:

- AK** - temperature cable probe type AK
- 1** - inserted sensor Pt100, tolerance class B
- 4** - probe diameter $\Phi_p = 4$ mm,
- G1/4** - mounting thread diameter $\Phi_n = 1/4"$,
- 80** - probe length $L_v = 80$ mm,
- PVC** - connection cable insulation: PVC,
- 02** - connection cable length: 2m.

Probe type AK sketch:



Example of ordering:

Code: **BK 3 - 6 - M10x1 - 50 - T 02** means:

- BK** - temperature cable probe type BK
- 3** - inserted sensor Pt100, tolerance class A
- 6** - probe diameter $\Phi_p = 6$ mm,
- M10x1** - mounting thread diameter $\Phi_n = M10 \times 1$,
- 50** - probe length $L_v = 50$ mm,
- T** - connection cable insulation: teflon,
- 02** - connection cable length: 2m.

Probe type BK sketch:

