

ORDERING
TABLE:

Probe type BJ



Probe sketch:

(ordering table on the next site)

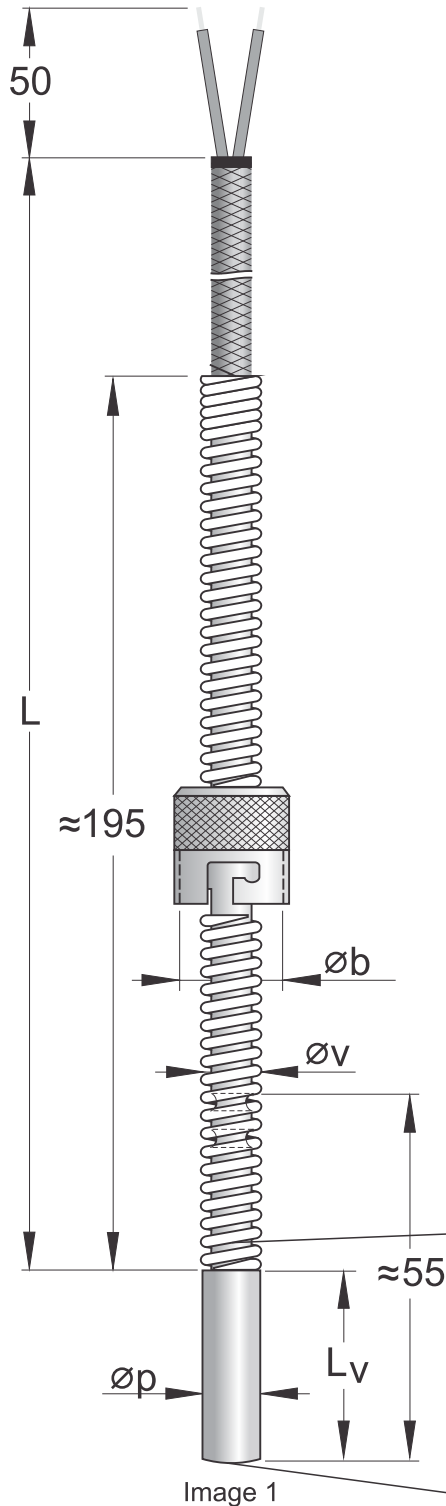
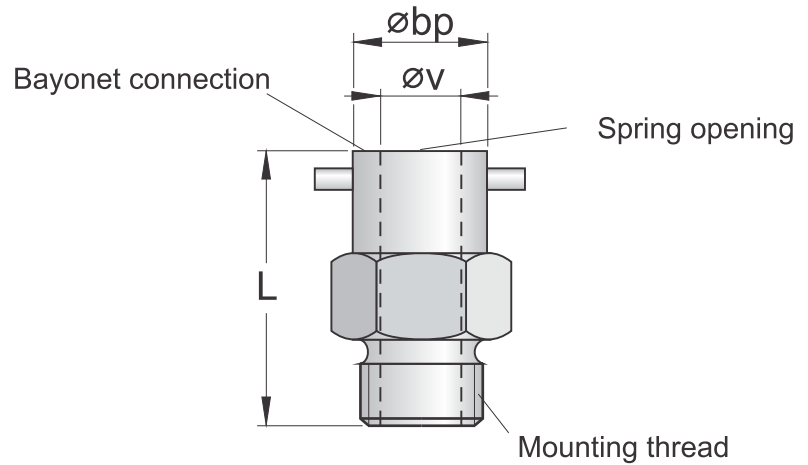


Image 1

Accessories: Mounting adaptor PBJ



	PBJ	XX	- XX	- X
Bayonet connection and spring opening diameter:				
Bayonet (Φ_{bp}) : $\Phi 12$ mm,				
spring opening (Φ_v): $\Phi 6$ mm				
	Mounting thread:			
	M10	12	M10	6
	M10 x 1	12	M10x1	6
	Custom	12	XX	X
	Mounting thread:			
	1/4"	14	G1/4	8
	3/8"	14	G3/8	8
Bayonet (Φ_{bp}): $\Phi 14$ mm,				
spring opening (Φ_v): $\Phi 8$ mm				
	M12	14	M12	8
	M12 x 1	14	M12x1.0	8
	M12 x 1.5	14	M12x1.5	8
	M14 x 1.5	14	M14x1.5	8
	Custom	14	XX	X

Example of ordering:

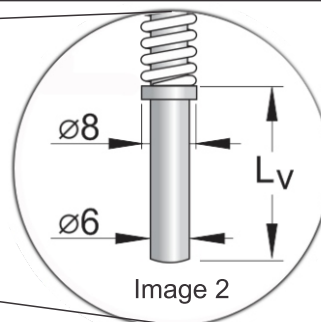
Code **PBJ 14 - M12x1.5 - 8** means:**PBJ** - mounting adaptor PBJ**14** - bayonet connection diameter $\Phi 14$ mm**M12x1.5** - mounting thread M12 x 1.5**8** - spring opening diameter $\Phi 8$ mm

Image 2

Page:
1/2

www.termomer.com

ELEKTRONIKA PAHOR d.o.o.

Brnciceva 9a

1231 Ljubljana-Crnuce

SI-Slovenia, Europe

tel: +386 (0)1 561 51 20

fax: +386 (0)1 561 13 308

info@termomer.com

ORDERING
TABLE:

Probe type BJ



BJ	X	X	X	X	X	X
Spring and bayonet connection diameter:						
Spring (Φ_v): $\Phi 6$ mm, bayon. conn. (Φ_b): $\Phi 12,8$ mm	6					
Spring (Φ_v): $\Phi 8$ mm, bayon. conn. (Φ_b): $\Phi 14,8$ mm	8					
Inserted sensor:						
Pt100 B		1				
Pt1000 B		10				
Thermocouple type J		J				
Thermocouple type J - isolated		Ji				
Thermocouple type K		K				
Thermocouple type K - isolated		Ki				
Probe diameter p :						
4 mm (Image 1)			4			
5 mm (Image 1)			5			
6 mm (Image 1)			6			
8 mm (Image 2)			8			
Probe length L_v - custom:						
min. 2 mm for thermocouples					XX	
min. 10 mm for RTDs					XX	
Connection cable insulation:						
		Connection cable length L:				
PVC	2 m				PVC 02	
	> 2 m				PVC XX	
Silicone	2 m				Si 02	
	> 2 m				Si XX	
Teflon	2 m				T 02	
	> 2 m				T XX	
Fiberglass with steel overbraids	2 m				SVO 02	
	> 2 m				SVO XX	

Example of ordering:

Code: **BJ 6 - Ji - 6 - 08 - PVC 02** means:

- BJ** - cable temperature probe with bayonet connection,
- 6** - spring diameter 6 mm, bayonet connection diameter 12,8 mm,
- Ji** - inserted sensor: thermocouple type J - isolated,
- 6** - probe diameter: 6 mm,
- 08** - probe length $L_v = 8$ mm,
- PVC** - connection cable insulation: PVC,
- 02** - connection cable length: 2 m.

