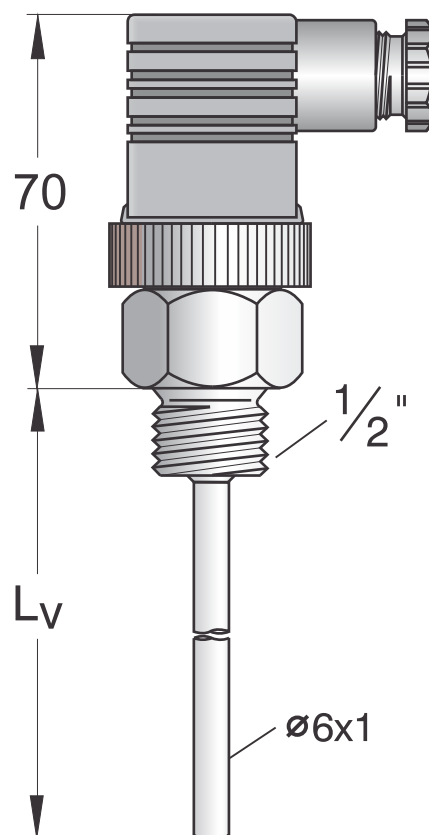


ORDERING
TABLE:

Probe type CH



CH	X	X
Inserted sensor:		
Pt100 B	1	
Pt100 A	3	
Pt1000 B	10	
NTC 10K	T10	
KTY81	81	
Ni1000, 5000 ppm/K	15	
Ni1000, 6178 ppm/K	16	
Probe length L_v:		
50 mm		05
100 mm		10
160 mm		16
200 mm		20
250 mm		25
300 mm		30
400 mm		40
500 mm		50



Example of ordering:

Code: **CH 120** means:

- CH** - temperature probe for measuring the temperature of liquids type CH
- 1** - inserted sensor Pt100, tolerance class B
- 20** - probe length $L_v = 200$ mm



www.termomer.com

ELEKTRONIKA PAHOR d.o.o.

Brciceva 9a
1231 Ljubljana-Crnuce
SI-Slovenia, Europe

tel: +386 (0)1 561 51 20

fax: +386 (0)1 561 13 308

info@termomer.com