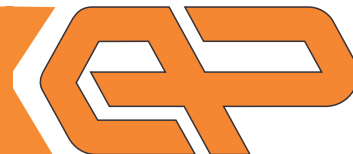


ORDERING
TABLE:

Probe type CTH



CTH	X	X
Inserted sensor:		
Pt100 B	01	
Pt1000 B	10	
NTC 10K	T10	
Probe length L_v:		
300 mm		3
800 mm		8

Example of ordering:

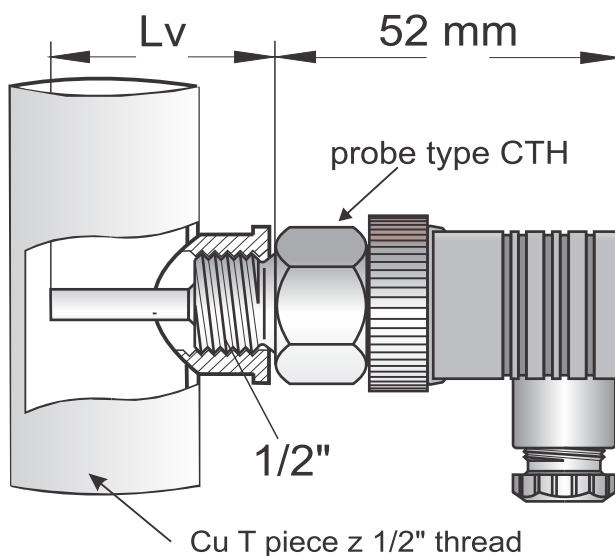
Code: **CTH 103** means:

CTH - temperature probe type CTH made for mounting in CU or Alumplast installations

10 - inserted sensor Pt1000, tolerance class B

3 - probe length L_v = 300 mm

Example of mounting:



www.termomer.com

ELEKTRONIKA PAHOR d.o.o.

Brnciceva 9a

1231 Ljubljana-Crnuce

SI-Slovenia, Europe

tel: +386 (0)1 561 51 20

fax: +386 (0)1 561 13 308

info@termomer.com