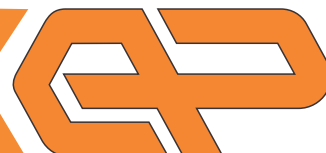
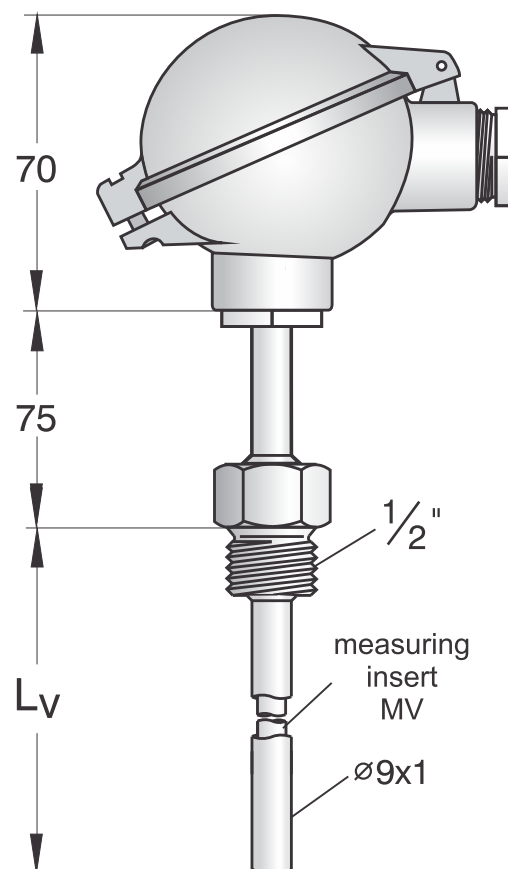


**ORDERING
TABLE:**

Probe type CVBD



CVBD	X	X	XX
Inserted sensor:			
Pt100 B	1		
Pt100 A	3		
Pt1000 B	10		
NTC 10K		T10	
KTY81	81		
Ni1000, 5000 ppm/K	15		
Ni1000, 6178 ppm/K	16		
Probe length L_v:			
100 mm		10	
160 mm		16	
250 mm		25	
300 mm		30	
400 mm		40	
500 mm		50	
Installed transmitter:			
none			-
4 ..20 mA			AI*
RS485			RS



*Added measuring range of installed transmitter
xx/xx °C

└── temperature at which the current is 20 mA
└── temperature at which the current is 4 mA

Example of ordering:

Code: **CVBD 120 AI 0/100°C** means:

CVBD - temperature probe for measuring the temperature of liquids with elevated head type CVBD

1 - inserted sensor Pt100, tolerance class B

20 - probe length $L_v = 200$ mm,

AI 0/100°C - installed measuring transmitter 4...20mA with measuring range 0/100°C



www.termomer.com

ELEKTRONIKA PAHOR d.o.o.

Brnciceva 9a

1231 Ljubljana-Crnuce

SI-Slovenia, Europe

tel: +386 (0)1 561 51 20

fax: +386 (0)1 561 13 308

info@termomer.com