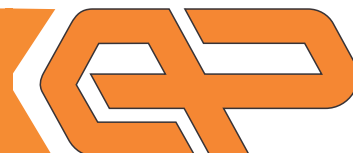
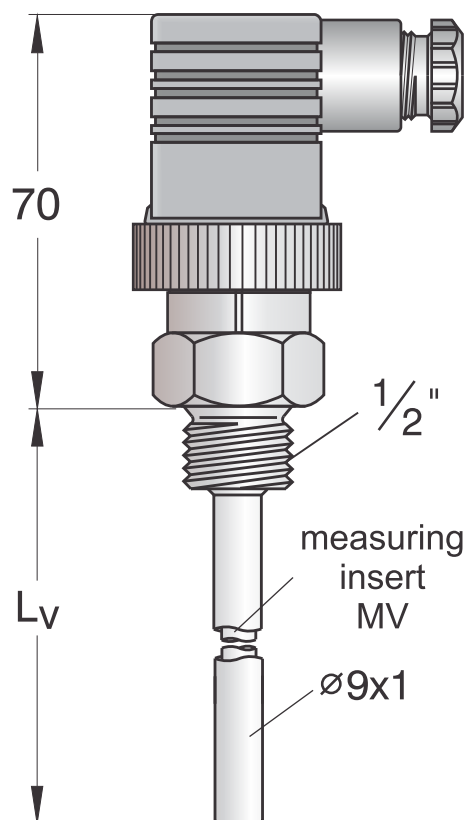


ORDERING
TABLE:

Probe type CVH



CVH	X	X
Inserted sensor:		
Pt100 B	1	
Pt100 A	3	
Pt1000 B	10	
NTC 10K	T10	
KTY81	81	
Ni1000, 5000 ppm/K	15	
Ni1000, 6178 ppm/K	16	
Probe length L_v:		
80 mm		08
100 mm		10
160 mm		16
250 mm		25
300 mm		30
400 mm		40
500 mm		50



Example of ordering:

Code: **CVH 120** means:**CVH** - temperature probe for measuring the temperature of liquids type CVH**1** - inserted sensor Pt100, tolerance class B**20** - probe length $L_v = 200$ mm