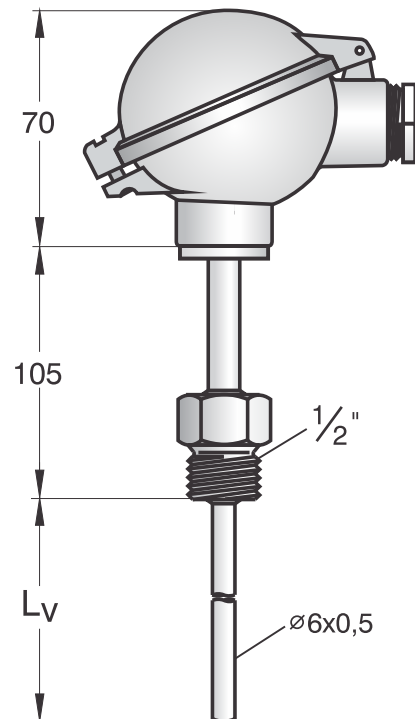


ORDERING
TABLE:

Probe type KBD



KBD	X	X	XX
Inserted sensor:			
Pt100 B	1		
Pt100 A	3		
Pt1000 B	10		
NTC 10K	T10		
KTY81	81		
Ni1000, 5000 ppm/K	15		
Ni1000, 6178 ppm/K	16		
Probe length L_v:			
100 mm		10	
200 mm		20	
300 mm		30	
400 mm		40	
500 mm		50	
Installed transmitter:			
none			-
4 ..20 mA			AI*
RS485			RS



*Added measuring range of installed transmitter
xx/xx °C
 └── temperature at which the current is 20 mA
 └── temperature at which the current is 4 mA

Example of ordering:

Code: **KBD 120 AI 0/100°C** means:

KBD - temperature probe for measuring the temperature of air with elevated head type KBD

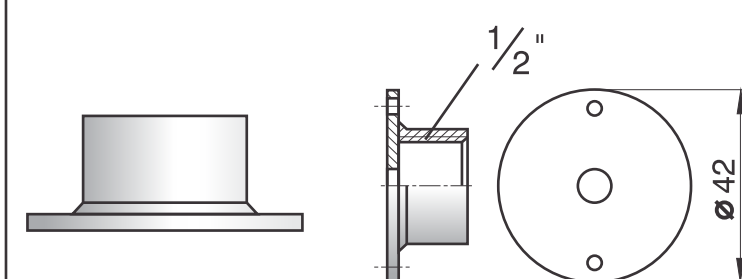
1 - inserted sensor Pt100, tolerance class B

20 - probe length $L_v = 200$ mm,

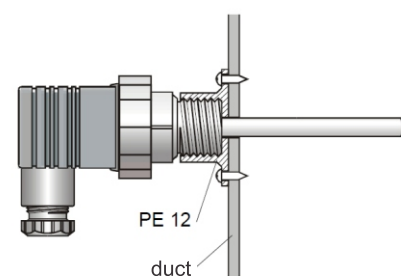
AI 0/100°C - installed measuring transmitter 4...20mA with measuring range 0/100°C

Accessories: **Mounting element PE 12 fastner**

Image and dimensions of mounting element:



Example of mounting:



Mounting of the probe in the
air duct with PE 12 fastner.

