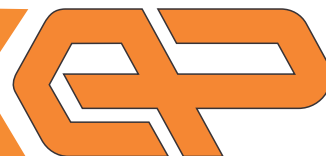


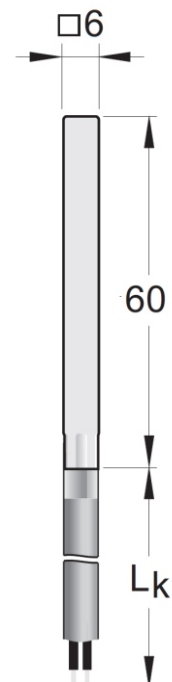
**ORDERING
TABLE:**

Probe type KN and KNN



KN / KNN		X	X	X
Inserted sensor:				
Pt100 tolerance class B		1		
Pt100 tolerance class A		3		
Pt1000 B		10		
NTC 10K		T10		
KTY81		81		
Ni1000, 5000 ppm/K		15		
Ni1000, 6178 ppm/K		16		
Connection cable insulation:		Connection cable length Lk:		
Silicone	2 m		Si 02	
	> 2 m		Si XX	
Teflon	2 m		T 02	
	> 2 m		T XX	
Fiberglass with steel overbraids	2 m		SVO 02	
	> 2 m		SVO XX	

Probe type KN sketch:



Example of ordering:

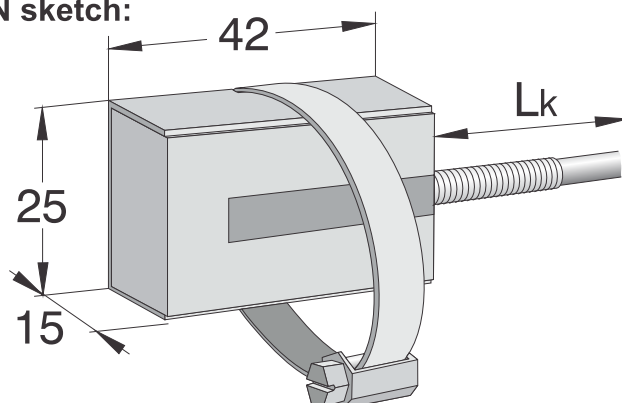
Code: **KN 3 T 02** means:

- KN** - temperature cable probe type KN
- 3** - inserted sensor Pt100, tolerance class A
- T** - connection cable insulation: teflon,
- 02** - connection cable length: 2m.

Code: **KNN 1 SVO 02** means:

- KNN** - temperature cable probe type KNN
- 1** - inserted sensor Pt100, tolerance class B
- SVO** - connection cable insulation: Fiberglass with steel overbraids,
- 02** - connection cable length: 2m.

Probe type KNN sketch:



www.termomer.com

ELEKTRONIKA PAHOR d.o.o.

Brnciceva 9a
1231 Ljubljana-Crnuce
SI-Slovenia, Europe

tel: +386 (0)1 561 51 20

fax: +386 (0)1 561 13 308

info@termomer.com