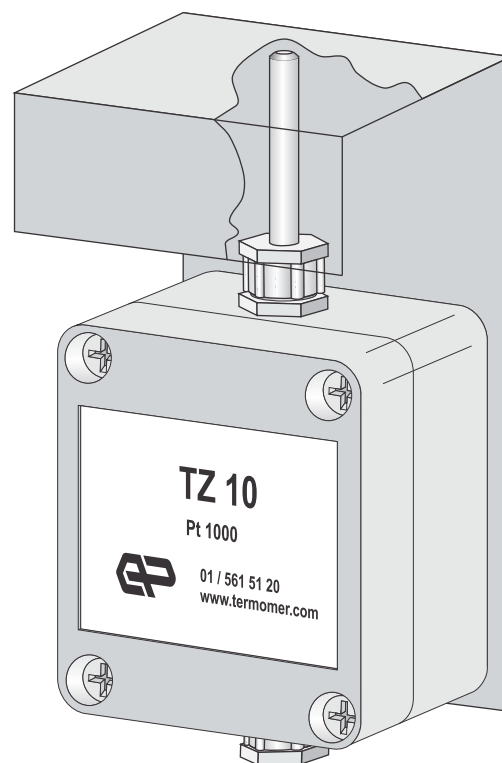


ORDERING
TABLE:

Probe type TZ



TZ	X	XX
Inserted sensor:		
Pt100 B	1	
2x Pt100 B	2	
Pt100 A	3	
Pt1000 B	10	
NTC 10K	T10	
KTY 1K	81	
KTY 2K	82	
Installed transmitter*:		
none	-	
4 ..20 mA		DI**
0 - 10 V		DU**
RS485		RS



*Possible only with inserted temperature sensor Pt1000 (TZ 10)

*Added measuring range of installed transmitter

xx/xx °C

└── temperature at which the current is 20 mA / voltage 10V
└── temperature at which the current is 4 mA / voltage 0V

In case there is transmitter installed in TZ temperature probe, it has factory set measuring range (for example: TZ 10 DU -30/50°C - factory set measuring range is from -30°C to 50°C).

Measuring range can also be set by the user with free configuring application EPKON and communication interface KOV 1.

Example of ordering:

Code: **TZ 10 DI 0/100°C** means:

TZ - temperature probe for measuring outdoor temperature type TZ

10 - inserted sensor Pt100, tolerance class B

DI 0/100°C - installed measuring transmitter 4...20mA with measuring range 0/100°C



www.termomer.com

ELEKTRONIKA PAHOR d.o.o.

Brnciceva 9a

1231 Ljubljana-Crnuce

SI-Slovenia, Europe

tel: +386 (0)1 561 51 20

fax: +386 (0)1 561 13 308

info@termomer.com