

Instructions for mounting and use of transmitter type PR1-UI

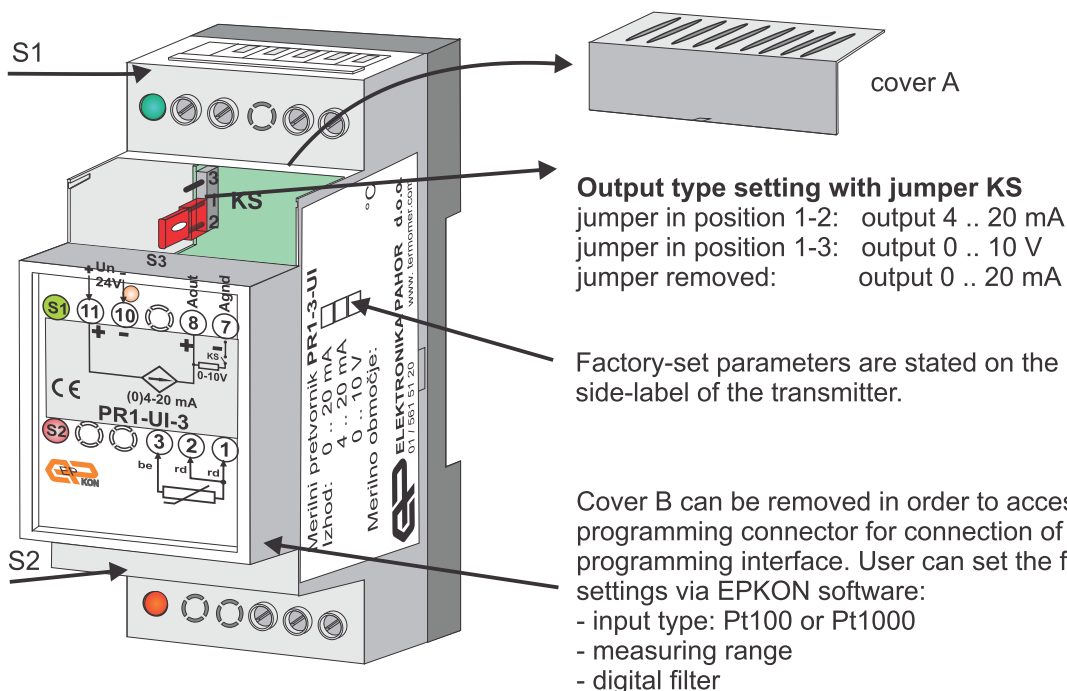


Transmitter supply is connected to terminals 10 and 11. Output signal and supply are not galvanically isolated. Supply voltage is 24 Vdc \pm 20%.

Transmitter enables three-wire connection of Pt100 or Pt1000 temperature sensors. With two-wire sensor connection terminals 1 and 2 have to be short-circuited. In this case the resistance of connection wires is added to sensor resistance and in result the measured temperature is higher than real temperature.

Transmitter type PR1-UI has universal output which is easily set by using a jumper **KS**. When the transmitter's cover A is removed, we have easy excess to the jumper.

Output type is determined with the position of the jumper according to the table below:



Transmitter's parameters are set via EPKON software which is free of charge and available on our webpage. For details about setting the parameters please refer to instructions for programming.

Transmitter's status signalization:

S1 - green LED supply signalization, green LED signal is on when supply is in order

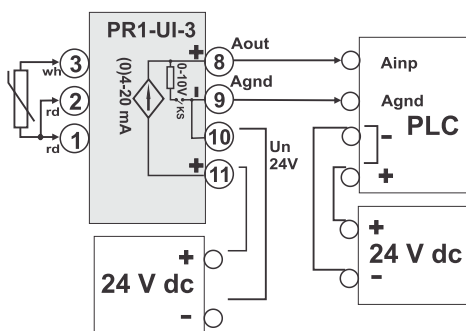
S2 - red LED input error signalization, red LED signal is on, when:

- connection to sensor is broken or short-circuited
- with two-wire sensor connection terminals 1 and 2 aren't short-circuited

S3 - orange LED current loop error signalization, when transmitter's output is set to current (0)4 .. 20 mA signalization shows current loop error if current loop is broken.

Transmitter connection:

Transmitter with it's own supply source:



Transmitter and PLC supplied from the same source:

